



CyClean™
TakClean™
VacClean™
ShearClean™

Non-Contact and Contact Web Cleaning Systems Overview



Photo courtesy of Polytype SA



We've got the world covered

Wherever you are in the world, you'll find Meech hard at work, providing a wide range of businesses with technical expertise. From our headquarters and Technical Centre in the UK, our manufacturing subsidiary in the USA and sales offices in Belgium, Hungary and China, we've got the world covered. In fact, our distribution network now covers over 50 countries, providing easy access to fully trained, carefully selected Meech distributors, who can provide in-depth support - wherever you are based.

Outstanding quality as standard

As with every Meech system, quality is at the heart of all web cleaning systems. We always work to the highest possible quality standards in everything we do: manufacturing, customer support and technical know-how. Our quality management system is certified by BSI to ISO9001. Products manufactured by Meech are appropriately certified to international standards. They carry markings including CE and UL/CSA (CUL).

We also hold ATEX and UL "EX" approvals for use in hazardous environments. So, you can be sure you've chosen a solution and a company that will meet your own exacting standards.

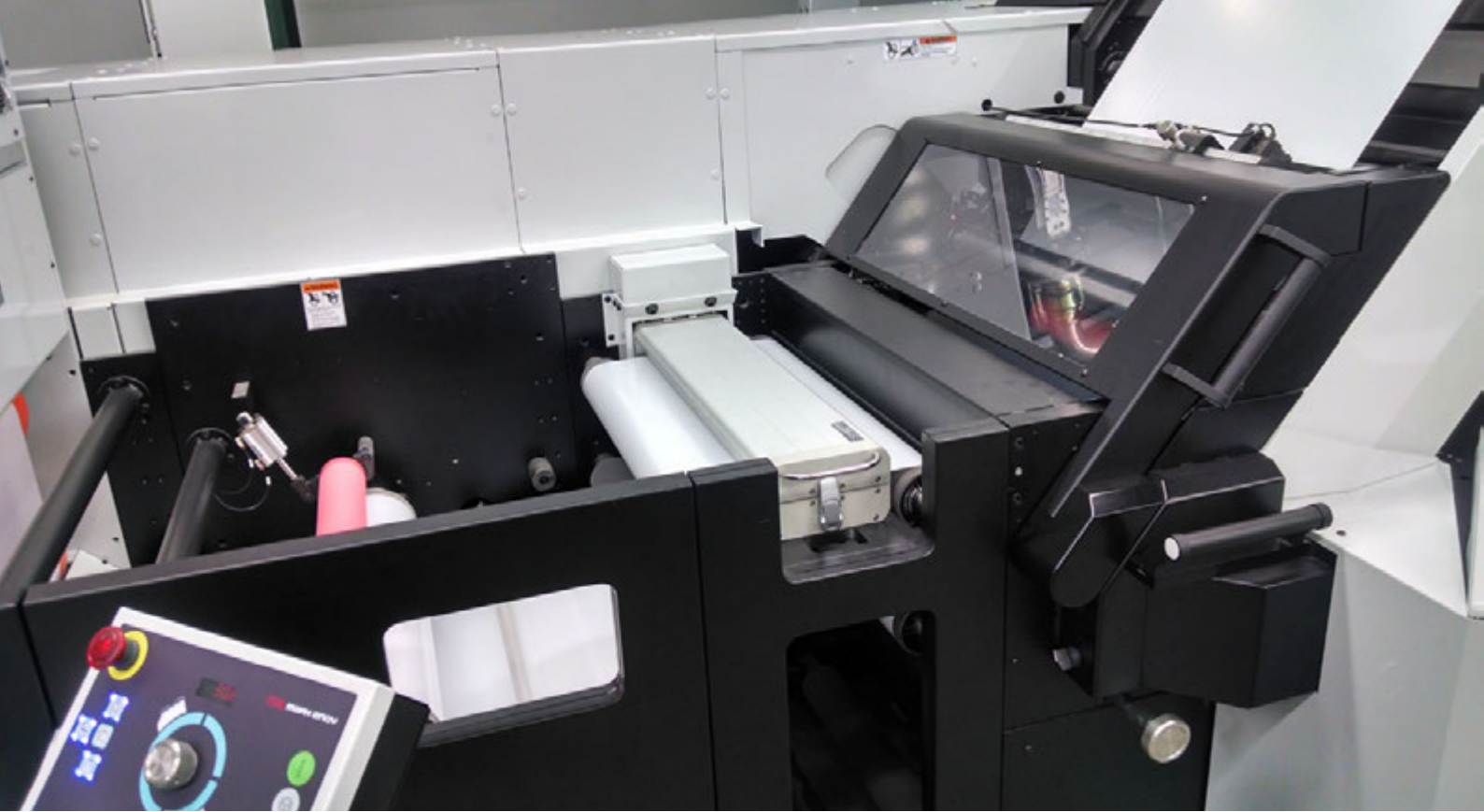
World leaders in web cleaning and static control

No-one knows the specialist fields of web cleaning and static control better than Meech and the practical benefits can be seen at work. Unique design characteristics in each of our web cleaning systems, whether it is contact or non-contact, will help you to maximise the return on your investment.

All the experience you need

Established in 1907, Meech has earned a worldwide reputation for the design and manufacture of effective, durable systems that are supported by our knowledgeable technical team. With so much to offer, no wonder our global user list has grown to in excess of 7,000 companies including:

- 3M
- Amcor Flexibles
- Avery Dennison
- Colgate
- Edale
- Focus Label
- Hymmen
- Innovative Machine
- Mark Andy
- Nilpeter
- Olbrich
- OMET
- Precision Coating
- RockTenn
- Scapa
- SMI Coated
- Sotech
- Spartanics
- Superweb
- Webtech Labels
- Werosys
- WS Packaging
- Xeikon
- Zebra Technologies



CyClean on Mark Andy Versa Max press

Cleaning Technologies

Meech is a leading web cleaning system manufacturer with a comprehensive range of four systems. Each system is based on a different cleaning principle. Uniquely this allows us to provide our customers with a system best suited to their application.

The Meech range comprises two non-contact and two contact cleaning technologies.

- **Non-Contact;** CyClean and ShearClean
- **Contact;** TakClean and VacClean

All Meech systems incorporate the latest shockless AC static control as standard – this is crucial for comprehensive contamination removal.

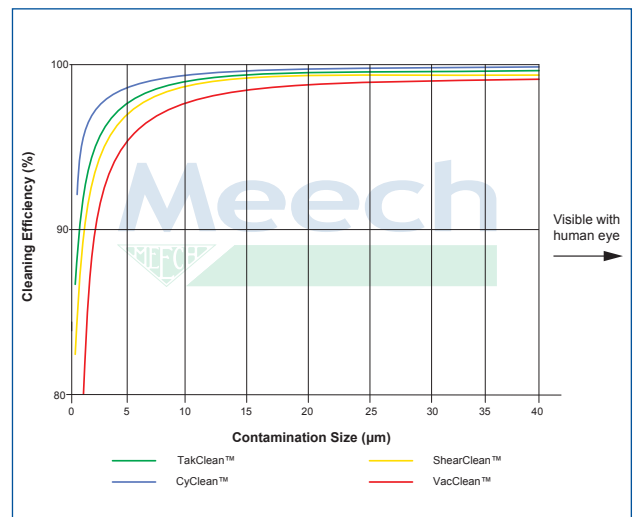


Meech Web Cleaning Systems - Efficiency Comparison

The following comparison chart illustrates the cleaning efficiency (%) of the Meech range of web cleaning systems for different contamination sizes (μm).

This data has been compiled from the extensive development, testing and evaluation of our systems.

The chart is intended as a guide as there are many factors that will effect the overall cleaning performance of a system, not least, the substrate material, substrate texture, speed and application environment.



System Selection Criteria

Meech web cleaning specialists will guide you through our range of systems, identifying the one most suitable for your application and requirements.

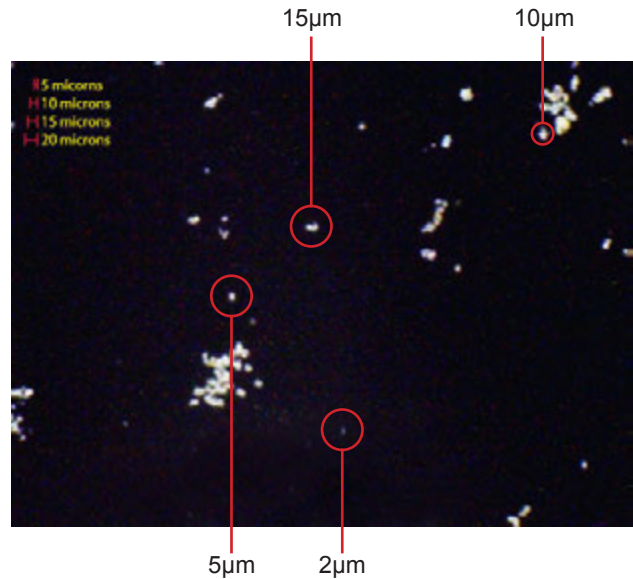
This discussion is best completed face-to-face at the machine, however we have prepared the following questions to help you start identifying the most suitable system:

- What is the web material and speed?
- What is the critical part of the process that is driving the need for web cleaning?
- Does the application demand non-contact cleaning now or in the future, i.e. could you change the material processed on the line?
- What is the web width?
- What type of contamination needs to be removed?
- How much space is available for the cleaning head?
- Is the web under tension and at what level?

Types of Contamination

Meech systems are used to remove many types of dry and unbonded contamination from the web surface. Some common types include:

- Die cut chads
- Dust – ambient
- Dust - slitting
- Fibres
- Hair
- Insects – mosquitoes etc



System Selection by Application

The table below shows which Meech web cleaning system is commonly used in some typical web cleaning applications. This table is not extensive, so if your application is not listed, please contact us to discuss which system is best suited.

	CyClean	TakClean	VacClean	ShearClean
Automotive	✓		✓	
Battery - aluminium foil	✓			✓
Blister packs	✓			
Coating	✓	✓	✓	✓
Corrugating	✓		✓	
Filter material	✓			✓
Food and medical packaging	✓	✓	✓	✓
Labelling	✓	✓	✓	
Laminating	✓	✓		✓
LCD screens				✓
Optical film	✓	✓		✓
Paper making and converting			✓	
Pharmaceutical	✓	✓		✓
Printing	✓	✓	✓	✓
Slitting & winding	✓		✓	
Solar panel substrates	✓			✓
Specialty films	✓	✓		✓
Wood/furniture and flooring			✓	

Effective Cleaning

To achieve effective cleaning, a system must be able to perform three critical tasks:

1. Break the boundary layer
2. Neutralise static charges
3. Remove and trap contamination away from the web

If the web cleaning system fails to perform any one of the three tasks, effective cleaning will not be achieved.

Boundary Layer

A boundary layer of air is present on all moving webs. It is formed by ambient air that is dragged along by the moving web, no matter how slow or fast it is moving.

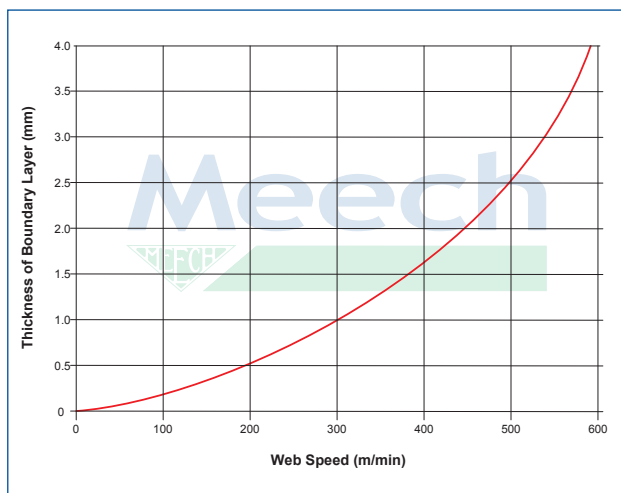
With a slow moving web, the boundary layer is thin. As the speed of the web increases, so does the thickness of the boundary layer.

Breaking the boundary layer is critical, as contamination is:

- Trapped directly on the web surface under the boundary layer
- Held within the boundary layer

If the boundary layer is not removed, it may be possible to remove some contamination from the web, but it will not be fully cleaned. Each Meech system uses a different technology to fully break through the boundary layer, ensuring excellent contamination removal.

The chart below shows the relationship of the boundary layer thickness (mm) to the web speed (m/min).

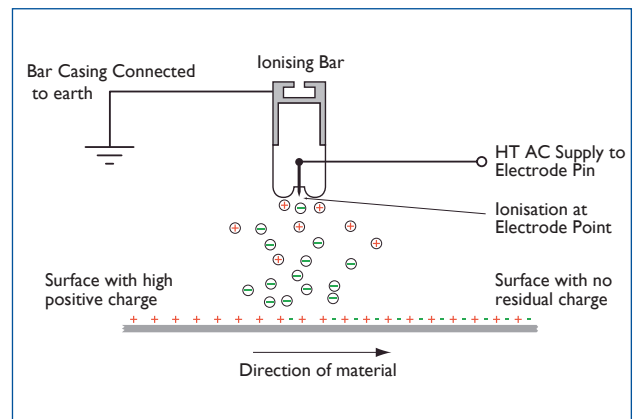


Static Neutralisation

A static charge will most likely be present on the web surface. Static charges are typically generated by either separation or friction. For example, a static charge will be generated as the web is unwound (separation), or as the web travels over non conductive nip rollers (friction).

Until neutralised, a static charge will trap and hold contamination already present on the web to its surface. It will also pull ambient airborne contamination to the web causing further contamination. Therefore, to achieve excellent cleaning, it is vital that the static charge is removed as part of the cleaning process.

A static charge can be either positive or negative in polarity – paper will generally have a positive charge, where as films normally charge negatively. All Meech systems incorporate powerful AC ionising bars that will neutralise the static charge present irrespective of the polarity.



Remove and Trap Contamination

Each Meech system removes contamination from the web surface in a different way. This ensures that Meech can provide the most effective cleaning method based on the application. For example, a paper converting line requires a system that can remove high levels of typically larger sized contamination, compared to an aluminium electrode web for battery cell production that typically has fewer contaminants of a smaller size – one technology does not suit all.

The Meech CyClean, VacClean and ShearClean systems use the Meech Air Handling Unit (AHUv3). The AHUv3 is exclusively used in Meech systems to provide the airflows and filtration that traps the contaminants. The AHUv3 is supplied as standard with an F8 grade bag filter and can be upgraded to include a H14 grade HEPA filter (99.99% efficient at 0.3 micron).

The Meech TakClean system includes a consumable adhesive roll that contamination is transferred to. The adhesive roll has a high adhesive mass and contaminants are trapped on the surface. Meech supplies high and low tak adhesive rolls in either perforated or continuous forms.

Meech Systems at a Glance

	Cleaning Technology	Type	Single or Double Sided Cleaning	Removes Particle Size
CyClean	Airflow Combination	Non-Contact	Double	0.5 micron
TakClean	Tacky Roller	Contact	Single or Double	0.5 micron
VacClean	Vacuum	Contact	Single or Double	<2 micron
ShearClean	Roller Airflow	Non-Contact	Double	0.3 micron

CyClean Technical Specification

Maximum Web Speed	800m/min, 2624 ft/min
Maximum Web Width	2600mm, 102" (wider web systems available as special builds)
Standard Widths	100 increments up to 600mm, then 200mm increments
Static Control (active)	4 x 914 AC bars; 110/240V AC, 50/60Hz
Single or Double Sided	Double sided as standard
Opening	Manual or pneumatic

TakClean Technical Specification

Maximum Web Speed	250m/min, 820ft/min ¹
Maximum Web Width	2000mm, 78" (wider web systems available as special builds)
Standard Widths	50mm increments up to 800mm, then to application requirements
Static Control (active)	2 x 914 AC bars; 110/240V AC, 50/60Hz
Single or Double Sided	Single and double sided available
Opening	Manual or pneumatic

1. Dynamic balancing for faster web speeds is available.

VacClean Technical Specification

Maximum Web Speed	1600m/min, 5249ft/min
Maximum Web Width	8000mm, 314" (wider web systems available as special builds)
Standard Widths	To application requirements
Static Control (active)	2 x 914 AC bars; 110/240V AC, 50/60Hz
Single or Double Sided	Single and double sided available
Opening	N/A

ShearClean Technical Specification

Maximum Web Speed	600m/min, 1968ft/min
Maximum Web Width	2100mm, 82" (wider web systems available as special builds)
Standard Widths	To application requirements
Static Control (active)	4 x 914 AC bars; 110/240V AC, 50/60Hz
Single or Double Sided	Double sided as standard
Opening	Manual or pneumatic



CyClean™

Non-Contact Web Cleaning

The Meech CyClean has been designed in response to increased demand for a compact, high performance, non-contact web cleaning system. Through the application of advanced computational fluid dynamics, Meech has optimised the cleaning efficiency of CyClean to remove and extract contamination to below 1 micron.

A CyClean system comprises three main components; the cleaning head, active static control and an Air Handling Unit (AHUv3).

The double sided non-contact cleaning head has been designed to provide excellent contamination removal, whilst minimising any risk of web recontamination. On each side of the web there is a powerful blowing airflow that strips the boundary layer and contamination from the web surface. Two vacuum airflows catch all the turbulent air and contamination from within the cleaning head. Each CyClean head incorporates four shockless AC ionising bars; two positioned on either side of the web, one on entry to and one on exit from the head. Ionising bars ensure neutralisation of any static charges on the web that are holding contaminants to the web surface. The risk of re-attraction of contaminants to the cleaned web surfaces is also minimised.

The AHUv3 provides the airflow and filtration for CyClean.

Applications

CyClean can be used in a wide variety of applications and being non-contact means it can be used with all web materials.

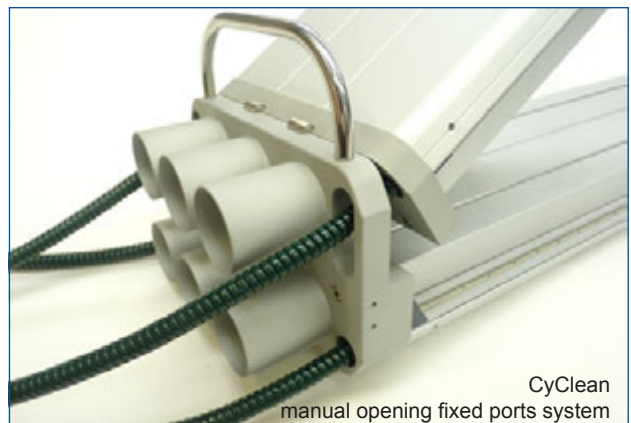
Typical applications include:

- Printing; flexo, digital, gravure and ink jet
- Coating
- Laminating
- Food and medical packaging
- Specialty film processing
- Solar panel substrates
- Battery - aluminium foil
- Blister packs

Installation

The CyClean head unit can be installed at any angle without jeopardising cleaning performance. However the web must be under constant tension as it passes through the CyClean head.

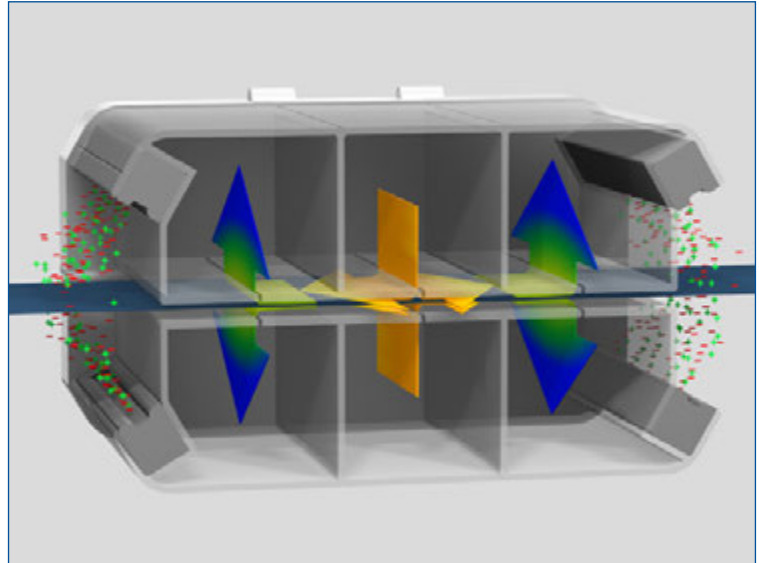
For easier installation, manual opening CyClean Systems feature a unique 'fixed ports' system that allows the ducting connections to remain stationary when the head unit is opened. This makes installing ductwork through a machine back plate far easier.



CyClean
manual opening fixed ports system

How CyClean Works

- The web passes through a cloud of ionisation on entry to the CyClean head, which neutralises any static charges.
- The web is then subject to a force of turbulent air created by the blowing and vacuum airflows within the head unit.
- High frequency micro-movements of the web are created by the turbulent air.
- The combination of the high frequency micro-movements and turbulent air shatters the web boundary air layer, releasing the contamination into the vacuum airflows.



- As the web exits the CyClean head, it passes through a second cloud of ionisation to prevent re-contamination of the web.

Design Features

The CyClean is constructed from anodised aluminium. It is a highly rigid and compact system. Based on our unrivalled experience and an extensive development program, we have included several unique features in the system.

Feature	Benefit
Non contact cleaning	Eliminates risk of surface marking and damage. No interference with web tension or web tracking.
Compact design	Flexible positioning & easy installation.
Integrated static control	Neutralises static charges to optimise cleaning performance and prevent re-contamination.
Unique 'fixed ports' system	The ducting connections to the cleaning head remain stationary, resulting in easier installation.
Air balancing	Allows complete control of the bias between blowing and vacuum airflows.
Automatic vacuum pressure control	Reduces the frequency of required operator adjustments. Maintains optimum cleaning performance automatically.
Hinged, clam shell design	Allows unit to open for easy threading of the web.
No consumable items	Lower ongoing costs.
Quiet operation	Can be installed in enclosed work areas. No H&S issues due to noise.

CyClean Head Opening Configurations

CyClean systems for web widths up to 600mm are supplied as standard in manual opening configuration. If required this can be upgraded to pneumatic opening. Systems for widths of 601mm or greater are supplied as standard with pneumatic opening. Systems to be installed on a vertical web include guided pneumatic cylinders.

"We at Webtech were looking for a web cleaning solution on our new Gidue machine without the need for constantly changing adhesive rollers. We chose the CyClean non contact system from Meech for its robust design and excellent cleaning abilities. We are delighted with the system performance and look forward to installing more of these in the time to come. The sales and service support from their local representatives has also been a very good."

*Managing Director, **Webtech Labels***



TakClean™

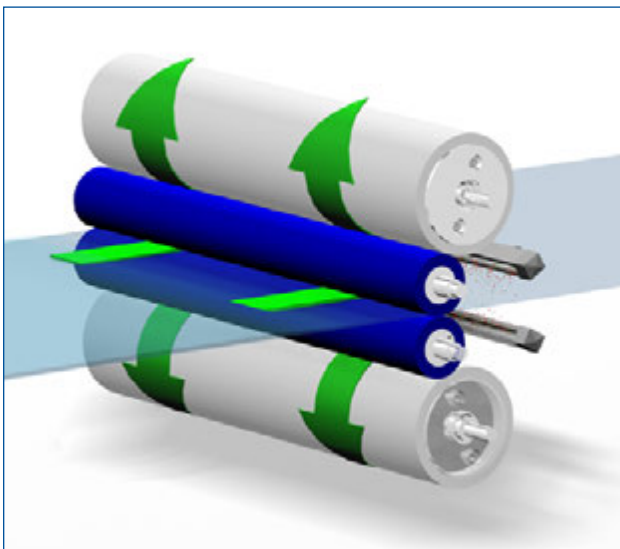
Contact Web Cleaning

The Meech TakClean contact web cleaning system is designed to remove dry, unbonded contamination from a moving web.

TakClean incorporates the specially formulated TransTak elastomer contact cleaning rollers and perforated adhesive rolls which, combined, make TakClean the ultimate elastomer based web cleaning system.

Meech has designed TakClean to provide the following user advantages:

- Excellent contamination removal – removing particles as small as 0.5 micron.
- Continuous cleaning – no need to stop the web.
- Fast installation – very low downtime for installation.
- Static control – web will be contamination and static free on exit.



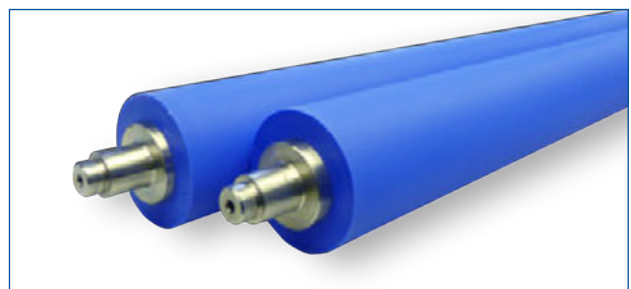
How TakClean Works

The unrivalled cleaning performance of TakClean is the result of 3 critical processes:

- The TransTak elastomer cleaning rollers contact the full width of the web with even pressure. Dry, unbonded contamination is lifted from the web surface.
- Pneumatics hold the adhesive roller in contact with the TransTak elastomer roller. Contamination is transferred from the surface of the TransTak elastomer roller to the adhesive roller where it is trapped.
- Any static charge present on the web is neutralised on exit from the TakClean; minimising the risk of statically attracted recontamination.

TransTak Elastomer Rollers

The specially formulated TransTak elastomer rollers are available in a variety of Shore A ratings (35 standard). TransTak rollers include cured silicone, but crucially are proven to have no 'free chemistry' and therefore do not leave any trace on the surface being cleaned.



Adhesive Rolls

The quality and performance of the adhesive rolls in any elastomer based web cleaning machine is vital to achieve the best levels of contamination removal.

Meech adhesive rolls are manufactured from a moisture stabilised paper base with a release coating to ensure easy unwinding. The paper is coated with an adhesive which is specially formulated to work effectively with TransTak elastomer rollers. Meech adhesive rollers have a high adhesive mass, the result of which is longer and more effective cleaning.

Meech adhesive rolls are a continuous roll of material with perforations in set positions along the length. The positioning of the perforations gives 70 easily removable (tear off) sections. The major advantages of Meech perforated rolls are:

- A knife is not required to cut the material – improved operator safety and no risk of damage to the TakClean system.
- No wasted adhesive material – the operator only removes a pre-specified length of adhesive roll material.

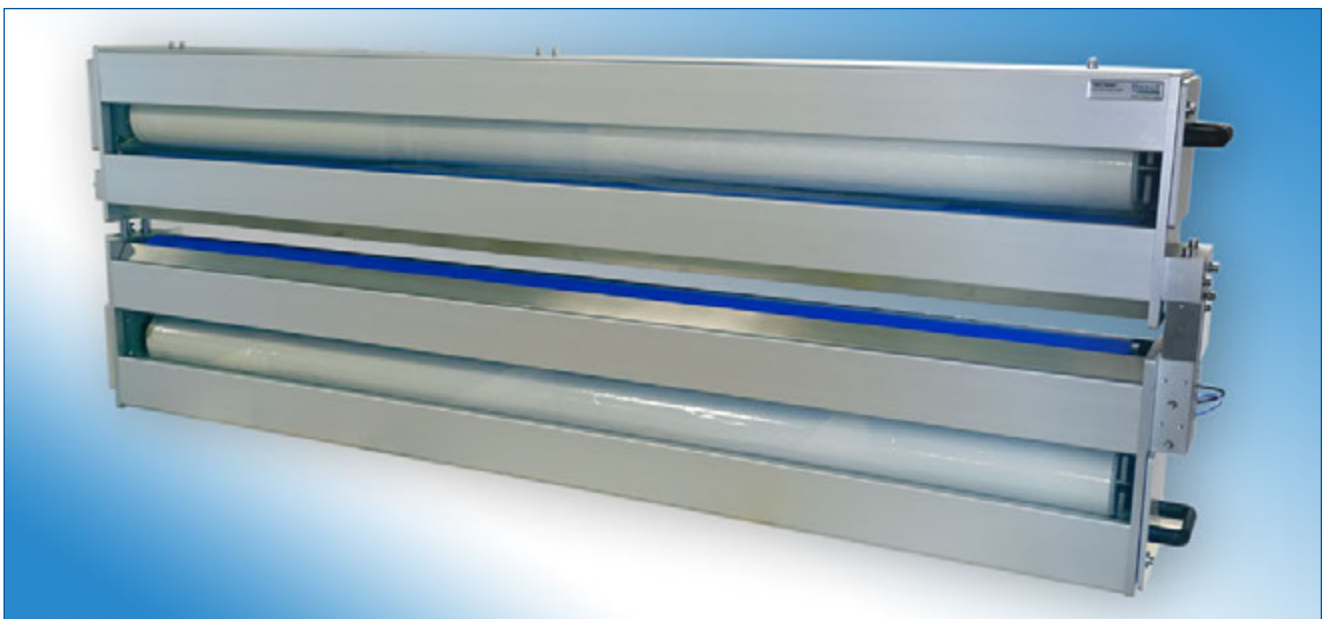
Adhesive Roll Specification

Material	Paper
Coatweight	High; accurately controlled
Core size	76mm / 3" Ø
Core material	High impact polystyrene
Material length per roll	22.4mtrs / 73ft
Perforations	Roll is perforated into 70 removable sections
Material widths	Any width from 100-1500mm

Design Features

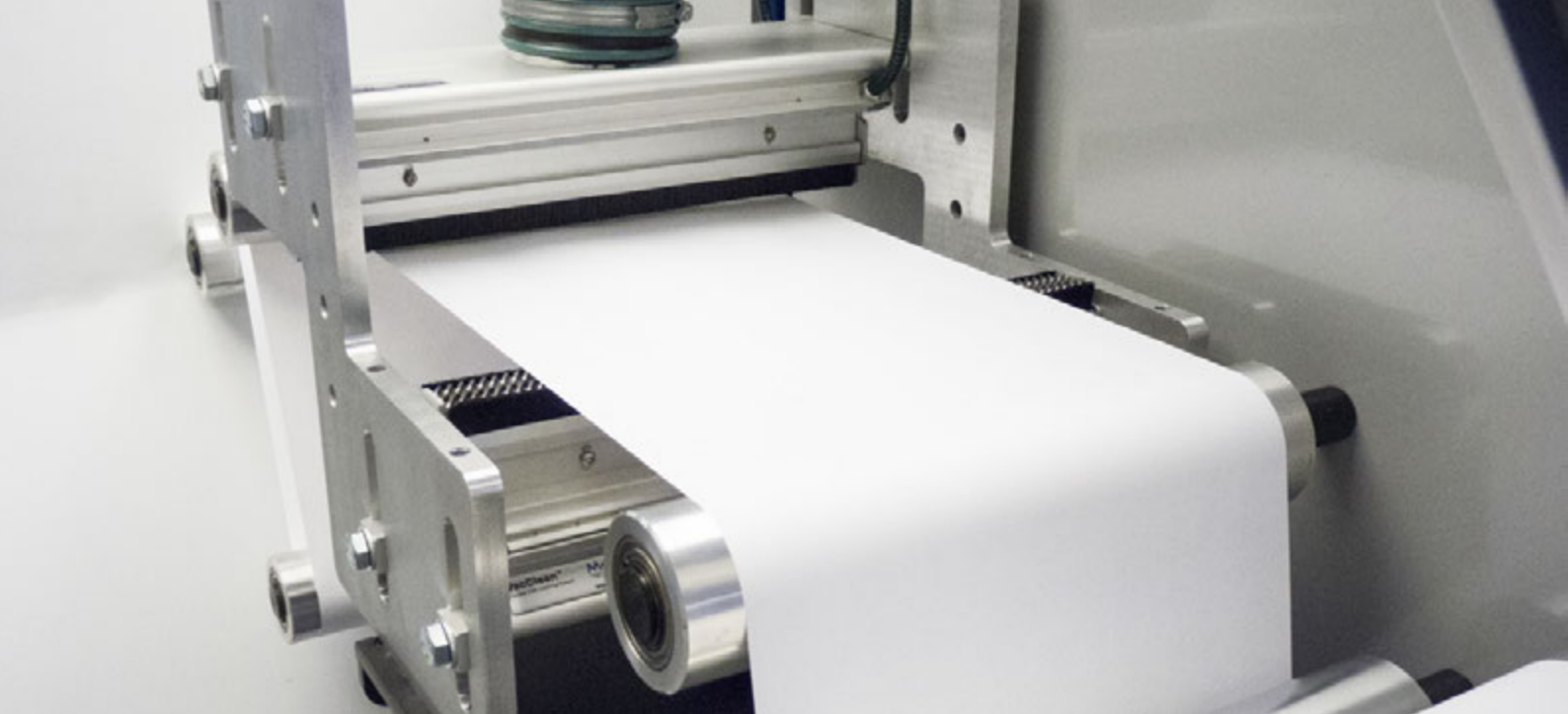
TakClean is constructed from hard anodised aluminium extrusions and machined hard anodised components to provide a highly rigid design with exceptional build quality. In particular TakClean incorporates the following main features:

Feature	Benefit
Clam shell opening (top half) for narrow web	Provides the operator with access to clean the TransTak elastomer rollers and makes webbing-up very easy.
Side pull-out adhesive rolls	Minimises the size of the machine and provides the operator with easy access to remove a section of the perforated adhesive roll.
Cantilever or baseplate mounting	Flexibility of the installation position. TakClean can be installed to suit all web orientations.
Integrated static control	Meech active static control equipment neutralises the web on exit of the TakClean to prevent statically attracted recontamination.
Fast change adhesive rolls	Reduces maintenance time required.



“Working with Meech is an obvious choice for Edale. It enables us to offer integrated solutions to suit our customers’ exacting needs.”

Design Office Manager, Edale



VacClean™

Contact Web Cleaning

The Meech VacClean contact web cleaning system is the ultimate system for the removal of high levels of contamination.

VacClean systems incorporate an enhanced contact cleaning manifold with either an Air Handling Unit (AHUv3) or vacuum fan unit, depending on the installation environment and web width.

Meech engineers created the VacClean manifold profile with the following design characteristics:

- Highly polished stainless steel faceplates which create turbulence to break the boundary layer
- The delta profile which is proven to have excellent airflow characteristics, ensuring that removed contamination is efficiently transferred to the system filter
- A compact web contact point that means VacClean can be installed in areas with restricted space
- Twin AC ionising bars, which are angled for an increased ionisation footprint, to neutralise static charges on the web on entry and exit to the manifold
- Brushes that aid break up of the boundary layer without contacting the web surface

For a combined manifold length up to 1,650mm/65" the VacClean is supplied with an AHUv3, which provides the airflow and filtration for the system.

A combined manifold length of 1,650mm/65" or greater requires the VacClean 3-phase centrifugal vacuum fan unit, which includes an outlet silencer and 5 micron contamination collection bag (upgradable to 1 micron).

If preferred, the vacuum fan unit is also available as an option for installations with a combined manifold length of under 1,650mm/65".

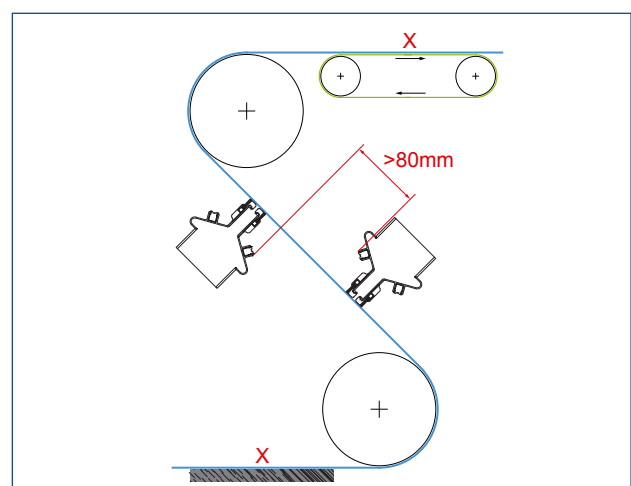
Applications

VacClean can be used in a wide variety of applications where contact cleaning is required. Typical applications include:

- | | |
|----------------------|---------------------------|
| ■ Printing | ■ Corrugating |
| ■ Labelling | ■ Food/medical packaging |
| ■ Laminating | ■ Paper making/converting |
| ■ Coating | ■ Wood/furniture/flooring |
| ■ Slitting & winding | ■ Automotive |

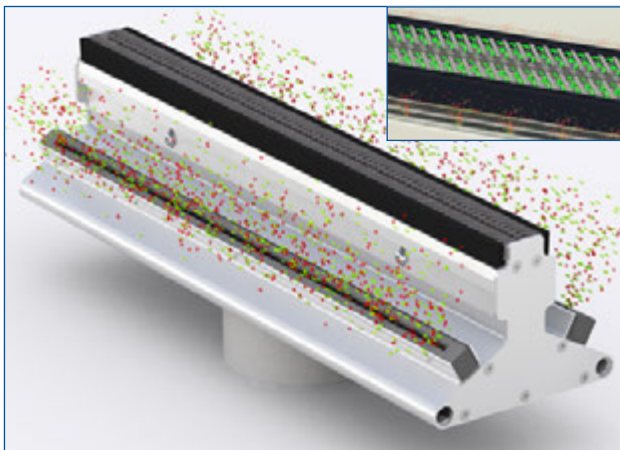
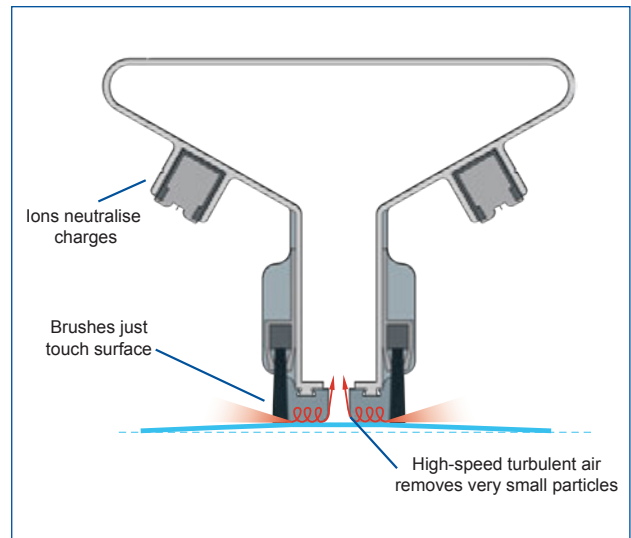
Installation

The VacClean manifold/s can be installed on a web travelling at any angle without jeopardising cleaning performance. The manifold/s should be installed between rollers (typically no closer than 100mm/4") in an area where the web remains under tension. If the system is double sided, the manifolds should be spaced by a minimum of 80mm/3". The web must be in free air, i.e. away from rollers, conveyors or the machine bed.



How VacClean Works

- The web passes through a cloud of ionisation which neutralises any static charge present.
- The brushes just contact the surface of the material and break up the boundary layer of air, enabling effective removal of the smallest particles.
- The web then fully contacts two highly polished vacuum faceplates that give complete coverage of the web, creating highly turbulent airflows and concentrating the vacuum to remove contaminants with a very high degree of efficiency.
- As the web leaves VacClean manifold, it passes through a second cloud of ionisation to prevent re-contamination of the web.



Filtration

Excellent filtration is paramount in any web cleaning system. The VacClean system has the following standard filtration levels:

- System including AHUV3 (Compact or Standard) = F8 grade bag filter. Can be upgraded to a H14 grade HEPA filter.
- System including vacuum fan = 5 micron filter bag. Can be upgraded to a 1 micron filter bag.

Design Features

The VacClean manifold is constructed from anodised extruded aluminium making it highly rigid and suitable for single manifolds to span web widths up to 3980mm, 156". Manifolds can be joined to span wider webs.

Feature	Benefit
Compact contact point	Cleaning in areas of restricted space can be achieved
Integrated static control	Neutralises static charges to optimise cleaning performance and prevent re-contamination.
Polished stainless steel faceplates	Create turbulence to break boundary layer and remove contamination.
No consumable items	Low ongoing costs
Automatic vacuum pressure control	Reduces the frequency of required operator adjustments. Maintains optimum cleaning performance automatically.

Options

VacClean systems can be manufactured to include a range of options including:

- Vacuum fan pre filters to allow fan discharge air to be exhausted to atmosphere.
- Cyclonic dust collection.
- Acoustic enclosures to provide very low vacuum fan noise levels.

"Since installation of the VacClean system we have seen a significant reduction in slitting dust on our final product."

Technical Manager, Gascogne Paper



ShearClean™

Non-Contact Web Cleaning

The Meech ShearClean web cleaning system is innovative and based on patented technology that utilises well established aerodynamic and fluid dynamic principles to achieve the very highest levels of cleaning efficiency without the need for physical contact.

ShearClean comprises three major components - a cleaning head, Air Handling Unit (AHUv3) and control panel. The cleaning head incorporates proprietary “non contact” cotton covered cleaning rollers and ionising bars for control of static charges. Connection to a Meech AHUv3 allows easy removal and collection of contaminants. The system is controlled and can be interlocked with the line via the control panel.

The cotton cleaning rollers operate at a high rotational velocity, typically within 1mm of the surface of the web. The roller design has been optimised to generate a high speed boundary layer of air. The greater energy of this layer destroys the boundary layer associated with the incoming web, exposing even the smallest particles resting on it to the powerful cleaning force. The low pressure, high velocity region created by the roller lifts and removes the particles from the web and carries them to the vacuum extraction chamber from which they are evacuated to the AHUv3.

Ionising bars ensure neutralisation of static charges on the web and easy breakdown of the bonds holding contaminants to the web surface. The risk of re-attraction of contaminants to the cleaned web surfaces is also minimised.

Applications

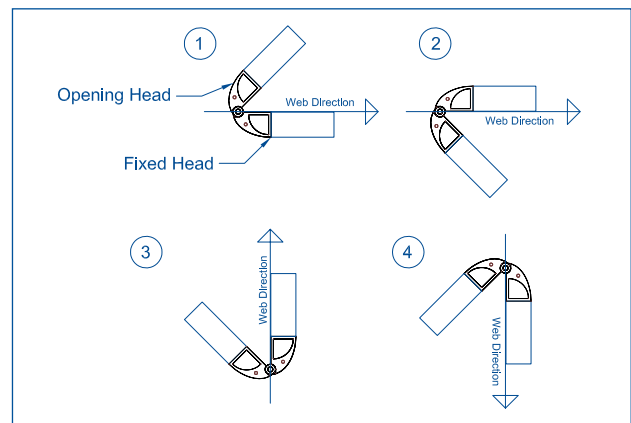
ShearClean can be used in a wide variety of applications and being non-contact it is compatible with all materials that you currently run, or may run in the future. Typical applications include:

- Specialty Films
- Labelling
- Laminating
- Printing
- Food Packaging
- Coating
- Pharmaceutical
- LCD Screens
- Filter Material

Installation

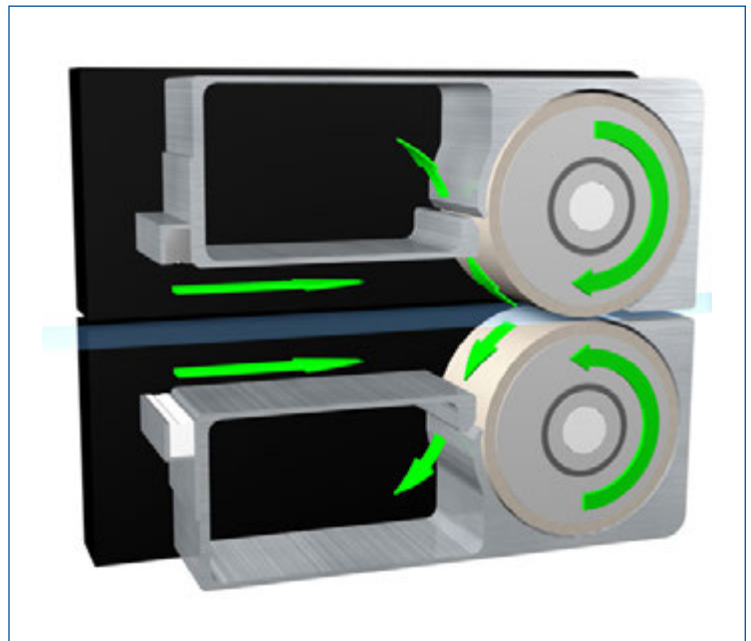
The ShearClean head unit can be installed on a web travelling at any angle without jeopardising cleaning performance. However the web must be under constant tension as it passes through the ShearClean. The head unit includes path rollers which are used to align the web between the internal cotton rollers.

The head unit can be configured to open in four configurations.



How ShearClean Works

- High speed internal rollers rotate at 4000rpm in the opposite direction to the web. This roller speed is factory set to clean webs moving at up to 600m/min (1,968ft/min) and can be adjusted for faster webs if required.
- The high speed rollers do not touch the web and there is a space of 0.5 - 1mm between each roller and the web.
- The boundary layer produced on the roller is substantially greater than the boundary layer on the web.
- ShearClean uses this superior boundary layer to strip the surface boundary layer off the web that holds the contaminants against the web surface.
- A crucial low-pressure zone is also created at the web surface. This low-pressure zone dislodges the contaminants.
- Now airborne, the contaminants are swept into the ShearClean vacuum chamber.



- An integrated aerodynamically designed 'Shear Bar' keeps the roller clean and prevents re-contamination of the web.
- Model 914 ionising bars with 905 power units provide effective static control to optimise the cleaning performance and prevent re-contamination of the web.

Design Features

The ShearClean is constructed from extruded anodised aluminium and stainless steel, which provides a highly rigid and compact system that can be easily installed in most applications up to a web width of 2,100mm (82"). Based on our unrivalled experience and an extensive development program, we have included several unique features in the system.

Feature	Benefit
Non contact cleaning	Eliminates risk of surface marking and damage. No interference with web tension or web tracking. Suitable for both single and double sided cleaning.
Integrated static control	Neutralises static charges to optimise cleaning performance and prevent re-contamination.
Automatic vacuum pressure control	Reduces the frequency of required operator adjustments. Maintains optimum cleaning performance automatically.
Hinged, clam shell design	Allows unit to open for easy threading of the web.
No consumable items	Low ongoing costs.
Quiet operation	Can be installed in enclosed work areas. No H&S issues due to noise.

Options

ShearClean systems can be manufactured to include a range of options including:

- Gas struts to aid manual opening/closing of the head unit.
- Pneumatics to provide automated opening/closing of the head unit.
- Vacuum level monitoring for automatic control of performance.

"Since we've had the ShearClean it has performed fantastically well, it's a great unit! It's the confidence that it will remove anything in the reel, our quality control does not find any contamination on the paper, nothing gets through."

Maintenance Engineer, **Smith & McLaurin**



Air Handling Units

The Meech AHUv3 range is integral to the CyClean, VacClean and ShearClean systems. The AHUv3 range includes:

- AHUv3 Compact - 2 pump
- AHUv3 Standard - 3 pump
- AHUv3 Standard - 6 pump

The AHUv3 provides the positive and vacuum pressure airflows and houses the system filters. It is of robust design and requires minimal maintenance.

Touch Screen Control

The AHUv3 leads its class. It is fully touchscreen controlled, allowing a clear graphical display of the system settings and status, whilst also making initial setup very fast.

Interlocks and Signals

Meech engineers have provided an interlock for remote start/stop of the AHUv3 to ensure the system is always running during production. Signals for filter condition and to show the system is running are also provided.

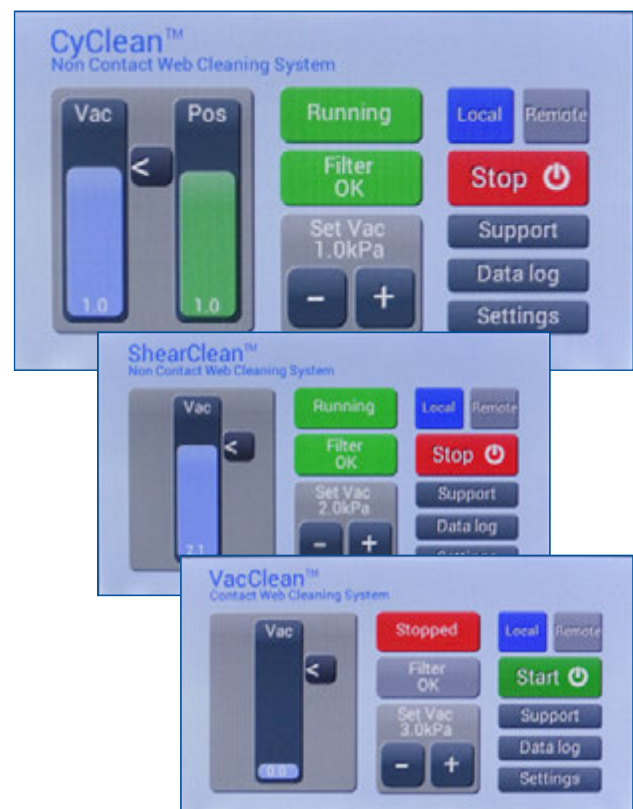
Automatic Vacuum Pressure Control

A key feature of the AHUv3 is the Meech automatic vacuum pressure control. This feature has been designed to remove the requirement of ongoing operator adjustment - meaning the operator does not need to monitor the system until the filter condition warning signal is displayed. Critically this feature also means

that a consistent level of cleaning is achieved for the full life of the filter, resulting in a consistent end product.

On Board Ionisation

The power supply for the integral ionisation system can be mounted on the rear of the AHUv3. Power for the ionisation power supply is taken directly from the AHUv3, meaning only one main electrical supply is required for the system installation.



Filtration

Excellent filtration is paramount in any web cleaning system. The Meech AHUv3 range has two levels of filtration:

- F8 Grade Bag Filter
 - Efficiency of 90-95% at 0.4 μ or 100% at 1 μ
 - Dual layer filter
 - AHUv3 Compact surface area: 0.7m²
 - AHUv3 3 and 6 pump surface area: 2m²

- H14 Grade HEPA Filter
 - Efficiency of 99.997% at 0.3 μ
 - AHUv3 Compact surface area: 4.5m².
 - AHUv3 3 and 6 pump surface area: 7.5m²



Filter Capacity Increase

The filter capacity of the Meech AHUv3 range can be increased by adding an optional inline filter unit. This unit is installed as a pre-filter to the AHUv3 and includes one additional F8 grade bag filter.

AHUv3 Sizing Guide

The following table shows which AHUv3 model is used with each system by web width.

	CyClean	VacClean		ShearClean
	Double Sided	Single Sided	Double Sided	Double Sided
AHUv3 Compact	up to 600mm	up to 1200mm	up to 600mm	up to 750mm
AHUv3 3-Pump	601-1599mm	1201-1950mm	601-900mm	751-1200mm
AHUv3 6-Pump	>1600mm	1951-3900mm	901-1800mm	1201-2100mm

AHUv3 Compact and Standard Specification

	Compact AHUv3 - 2 Pump Unit		AHUv3 - 3 Pump Unit		AHUv3 - 6 Pump Unit	
Output:	2.2kW		3.3kW		6.6kW	
Capacity:	733 m ³ /hr		1100 m ³ /hr		2200 m ³ /hr	
Weight:	70kg		95kg		105kg	
Noise level:	69dBa		72dBa		78dBa	
Full Load Current:	Neutral	Line	Neutral	Line	Neutral	Line
FLC @ 400V:	11.3A	8.1A	11.5A	6.9A	23A	13.8A
FLC @ 200V:	N/A	17A	N/A	12.5A	N/A	25A
Electrical supply:	200- 440V 3ph 50/60Hz					
Size:	H925mm x D450mm x W450mm			H925mm x D750mm x W750mm		
Exhauster:	Turbine Fan					
Filters:	Bag		Efficiency F8		90-95% @ 0.4 μ	
	HEPA		Efficiency H14		99.997% @ 0.3 μ	
	Inline		Efficiency F8		90-95% @ 0.4 μ	
Stainless steel:	Grade 430					

Environmental Operating Range:

Temperature:	+5°C to +40°C
Humidity:	Max 80 % RH up to 31°C To Max 50% RH at 40°C
Altitude:	Below 2000m
Pollution Degree:	2



Mark Andy

Sales Director Europe

“We specify Meech web cleaning systems on our full range of presses. We selected Meech as it was clear their expertise in web cleaning and related applications matched our high level of knowledge – we can really discuss specific applications with Meech. Our preference is the CyClean non-contact system, but we

know Meech has three other technologies on hand if needed. An added benefit is that we also work with Meech for static control, meaning we have a complete ‘clean press’ solution from one partner. Mark Andy and Meech are premium manufacturers and we are both committed to minimising contamination on a press.”

Werosys

Chief Technical Officer

“Werosys selected the Meech CyClean non-contact system for our converting lines to give our clients a fully integrated Web Cleaning solution with no need for daily operator attention. The solution provides a consistent cleaning result and will alert the operator if maintenance is required. By integrating the Meech control system with the machine control system, we can remotely monitor the complete installation and provide real-time support.”





Spartanics

Vice President of Engineering

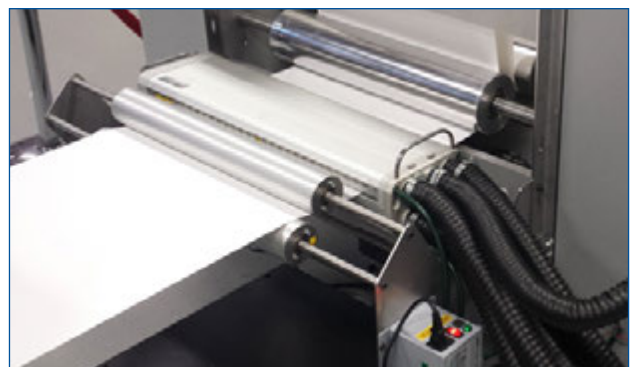
“Spartanics has partnered with Meech to integrate their Double-Sided TakClean Contact Web Cleaning System with Static Control into our web handling systems used in printing and coating applications. Effective web

cleaning, ease of maintenance/roll changes, and cost effective, compact, stylish design are the attributes that make the Meech TakClean a successful web cleaning solution within our products.”

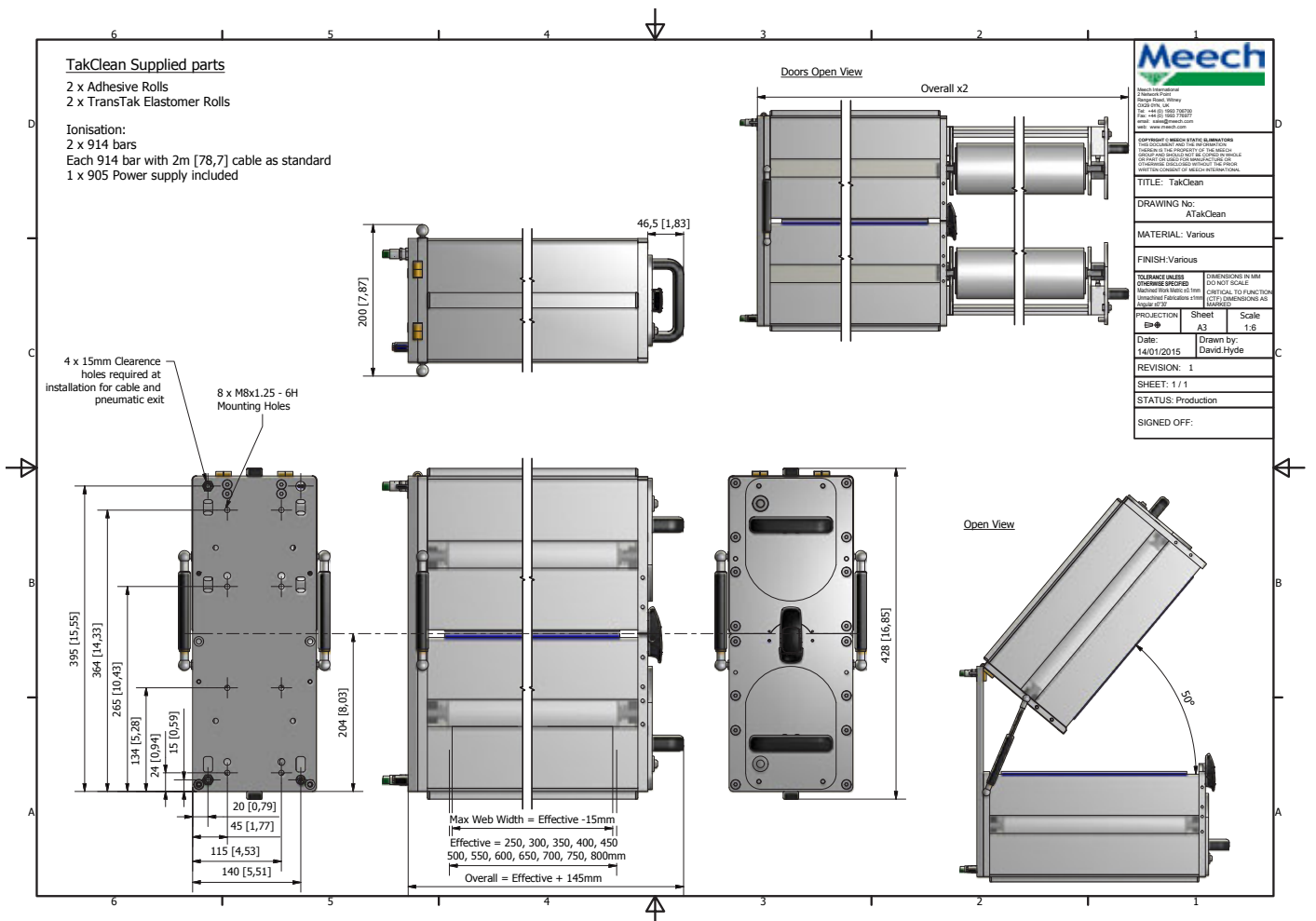
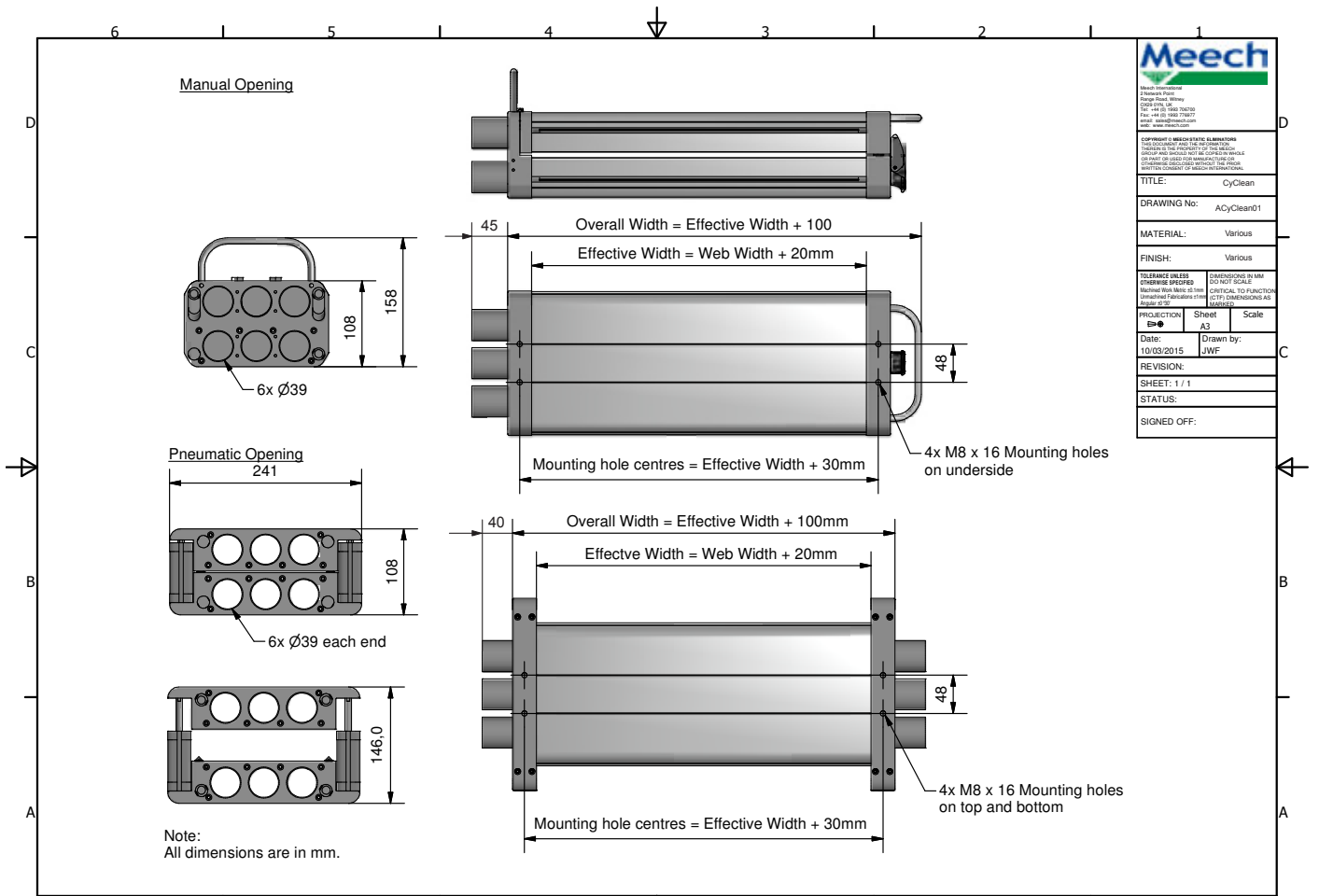
Xeikon

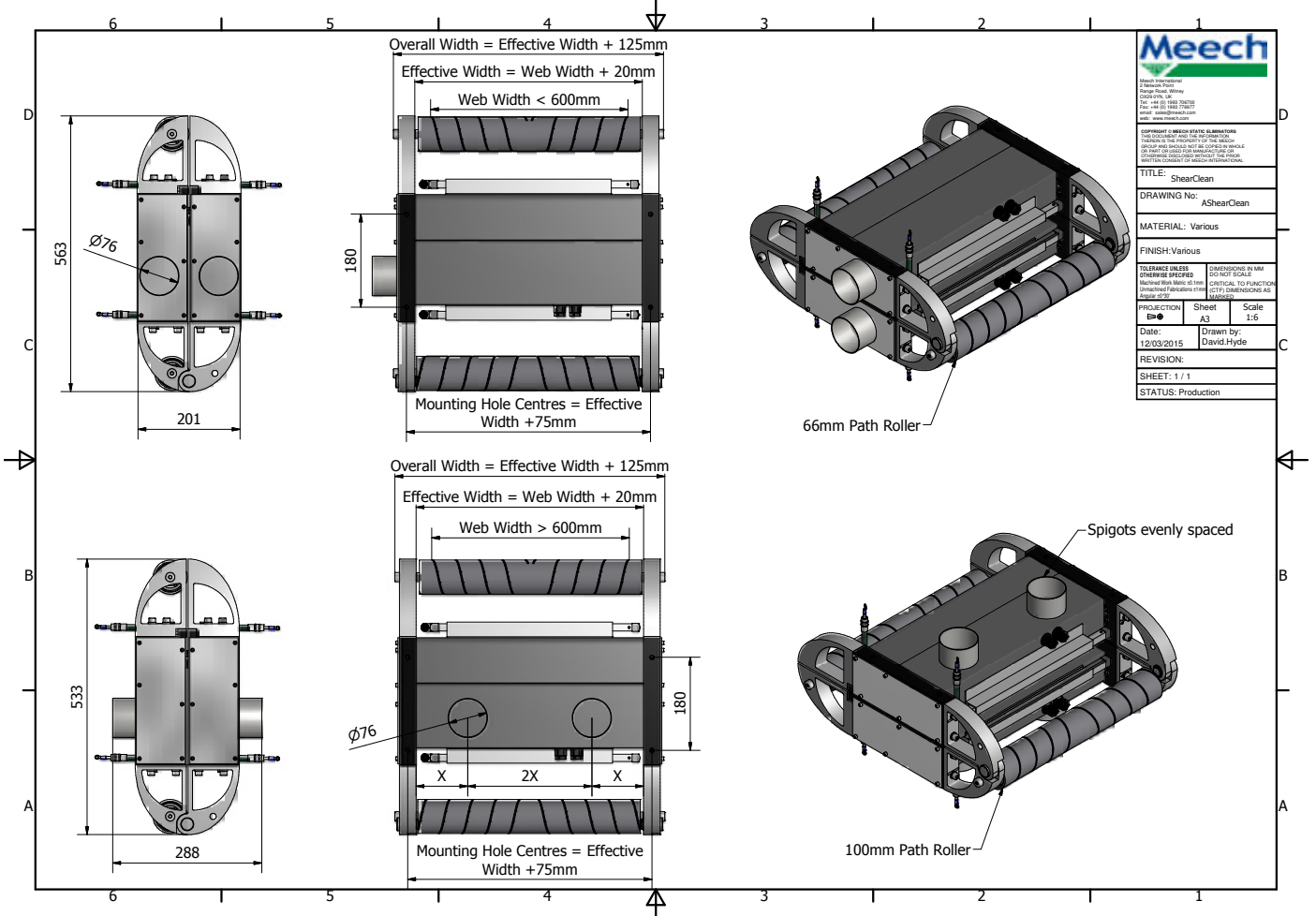
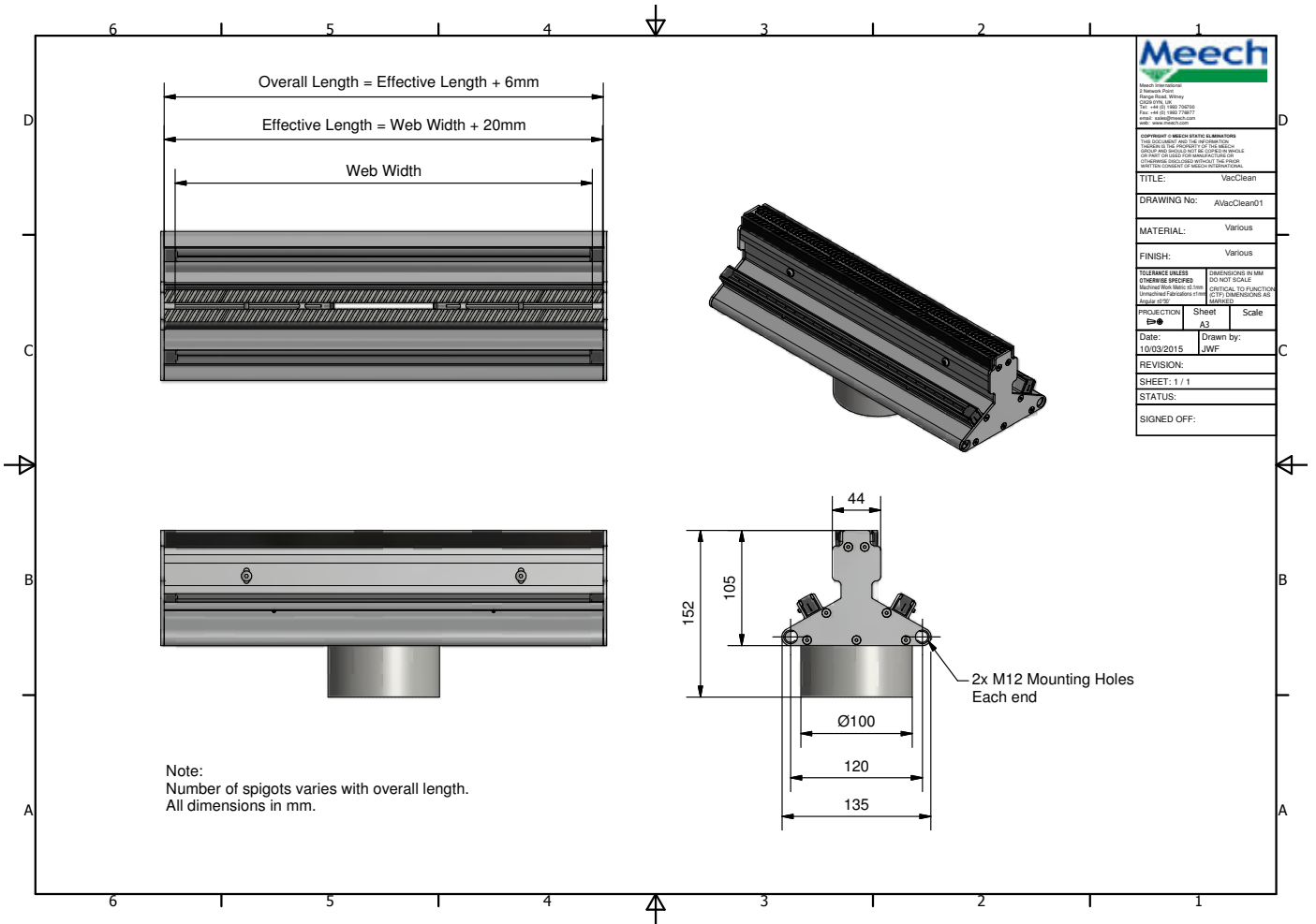
Director Product Marketing

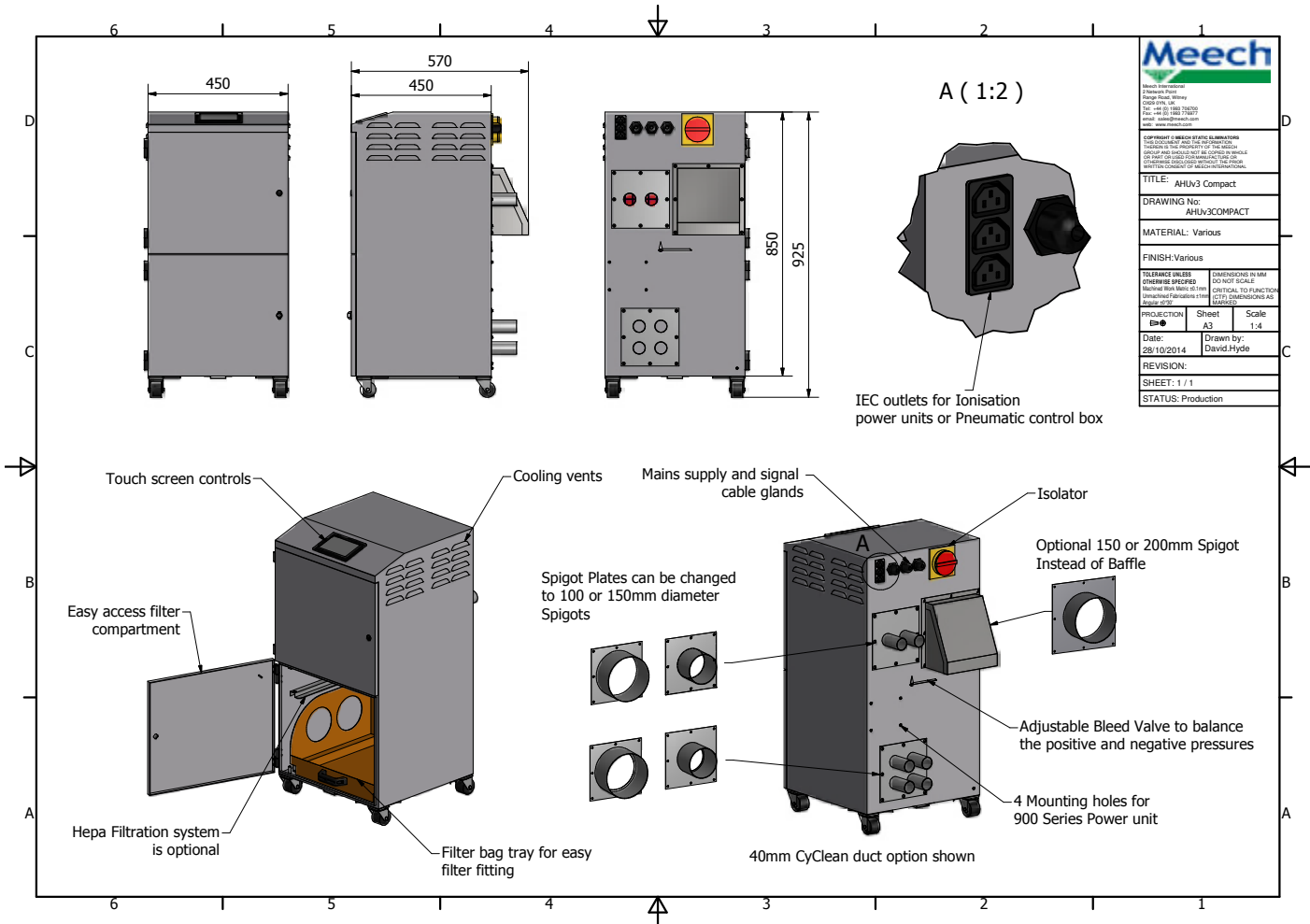
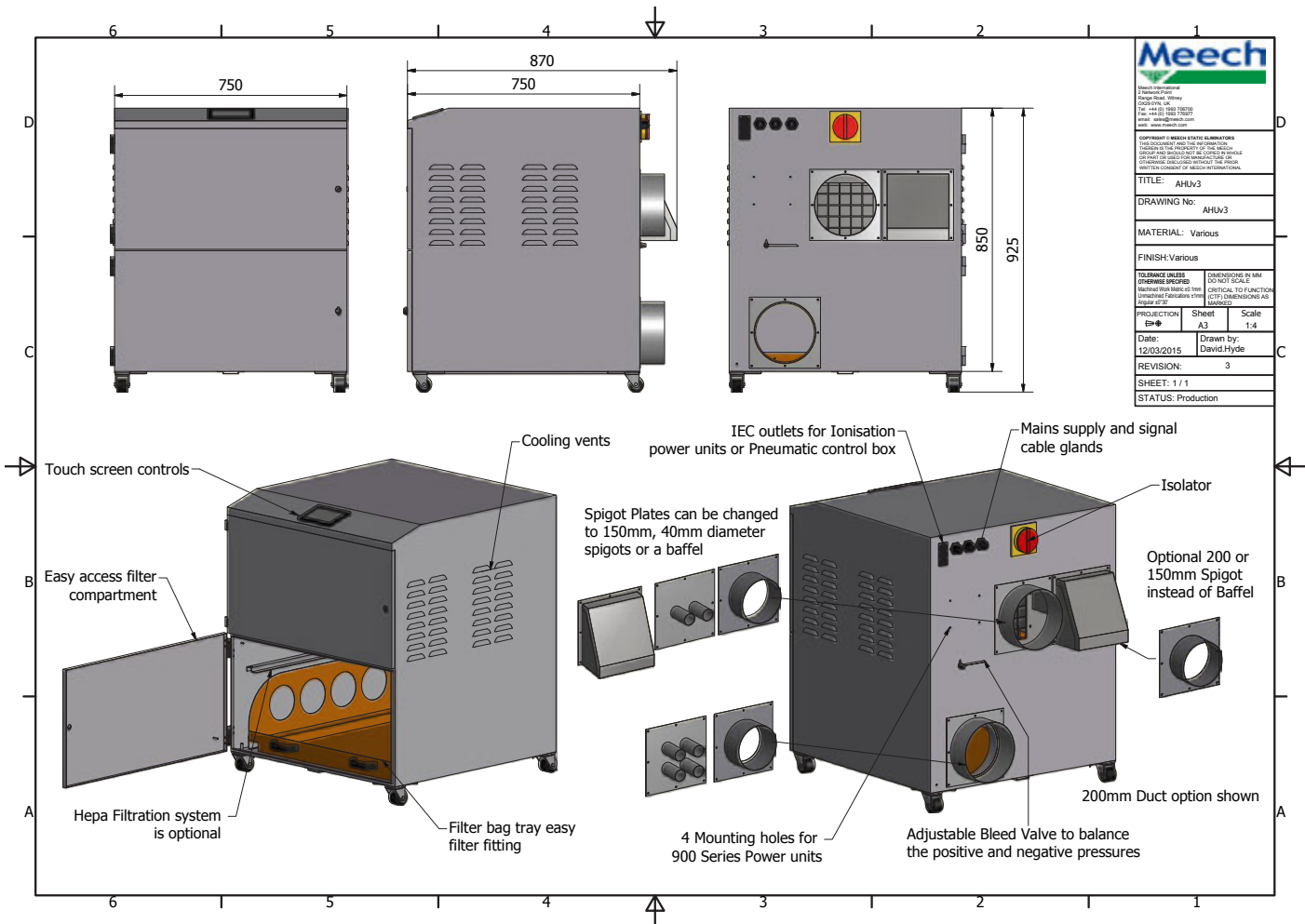
“As an innovator in digital-printing technology, Xeikon is committed to delivering web-fed digital colour presses of the highest quality, which also means ensuring that our presses are spotless. For this reason, we wanted to partner with a company that understood the importance of minimising contamination and could supply web-cleaning systems that delivered on their promise. Meech ticks both of those boxes.”

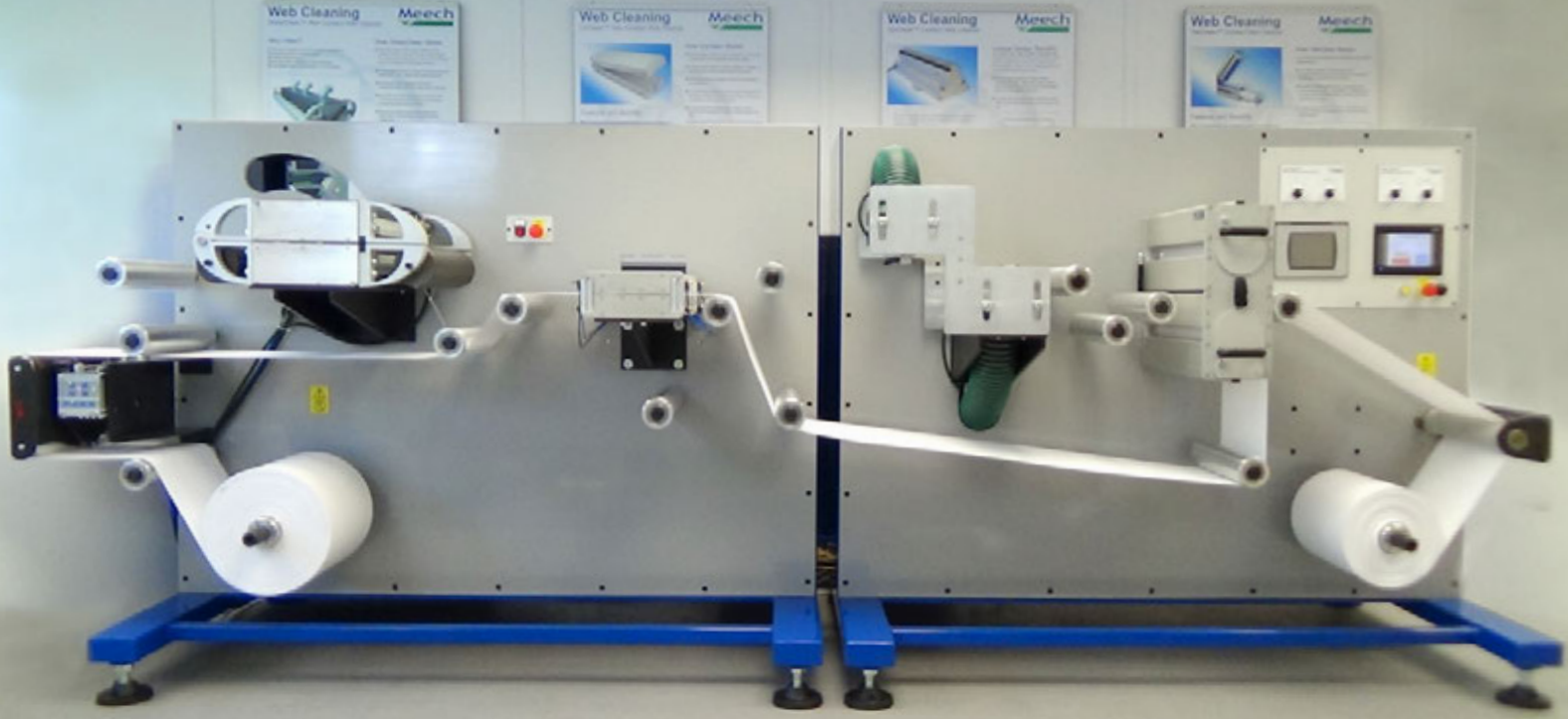


Technical Drawings









Demonstration and Test Facility

Meech has a web cleaning demonstration and test facility at our head office in the UK and at our USA and China offices. These facilities allow our customers to gain first hand experience of the four Meech web cleaning technologies. Customers can bring their own sample material and see the different cleaning levels that can be achieved by each system, allowing the most suitable system for the material to be identified and cleaning performance validated.

Our demonstration and test facilities are also used to train the Meech team and our network of distributors so that you can be sure your Meech partner understands our systems and your needs.



Test Material

If you would like us to test your material, please ensure it meets the following size criteria:

- Web width = 300mm max (12")
- Core diameter = 76mm (3")
- Roll diameter = 450mm max (18")



All you need, from the best in the business

Meech is also a leading provider of:

- **Industrial Static Control Systems** – Eliminating unwanted static or creating a controlled static charge in industrial processes can increase productivity, reduce waste and enhance quality.
- **ESD** – High sensitivity static control for electronic cleanroom environments to prevent ESD damage and reduce failure rates.
- **Air Technology Equipment** – Compressed air products that save energy, reduce noise levels and provide efficient cooling.
- **JetStream Air Knife Systems** – Energy efficient air knife systems that are used for contamination and surface moisture removal.
- **IonRinse** – Energy efficient ionising air rinsing system for the beverage, food and pharmaceutical processes.

Meech International

2 Network Point
Range Road, Witney
OX29 0YN, UK

Tel: +44 (0)1993 706700
Fax: +44 (0)1993 776977
email: sales@meech.com

Meech Static Eliminators USA Inc

2915 Newpark Drive
Norton, OH 44203
USA

Tel: +1 330 564 2000 / 1 800 232 4210
Fax: +1 330 564 2005
email: info@meech.com

Meech Elektrostatik SA

Kaiserbaracke 66
B-4780 St.Vith
Belgium

Tel.: +49 (0)6555 3733 399
+32 (0)80 670 204
Fax: +32 (0)80 862 821
email: mesa@meech.com

Meech CE

Gábor László utca 2
Budapest 1041
Hungary

Tel: +36 1 7977039
+36 30 2803334
email: ce@meech.com

Meech Static Eliminators (Shanghai) Co. Ltd

7G, 7F, LP Tower
#25 Xiangfeng Road
201103 Shanghai
China

Tel: +86 400 820 0102
Fax: +86 21 6405 7736
email: china@meech.com

Meech Shavotech

Shavo House, Survey No.21A / 10 B, Plot No.394
South Main Road, Koregaon Park, PUNE 411 001
India

Tel: 020-26069641/ 26069642,
Fax: No.020-26069644
e-mail: india@meech.com